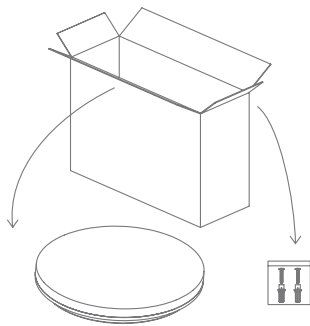


### SUNSET-300-RND-SEN

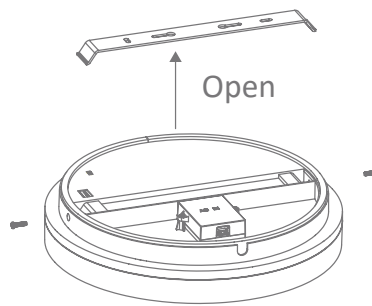
#### Specifications

|            |         |              |   |                  |          |
|------------|---------|--------------|---|------------------|----------|
| Voltage:   | 240V AC | Lumen (±5%): | Warm White 3000K - 2160lm<br>Neutral White 4000K - 2250lm<br>White 5700K - 2410lm | Dimmable:        | No       |
| Power:     | 25W     | Beam Angle:  | 120°  | Dimmable Sensor: | Yes      |
| CRI:       | ≥80     | CCT:         | 3000K - 4000K - 5700K   | Operating Temp:  | 25°C     |
| IP Rating: | 54      | Lifespan:    | 50,000hrs   | Class:           | Class II |

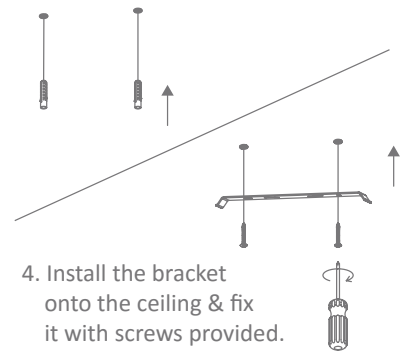
1. Remove ceiling light from the box.



2. Remove the side screws and lift the bracket.

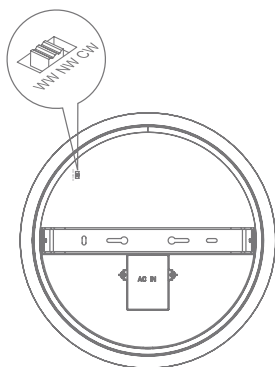


3. Install the bracket onto the ceiling.

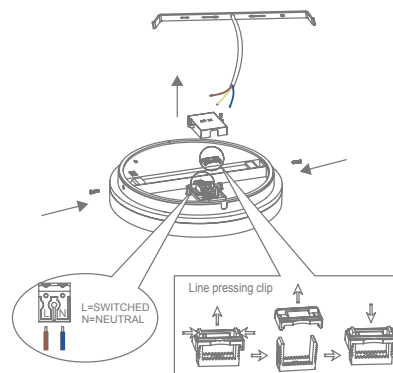


4. Install the bracket onto the ceiling & fix it with screws provided.

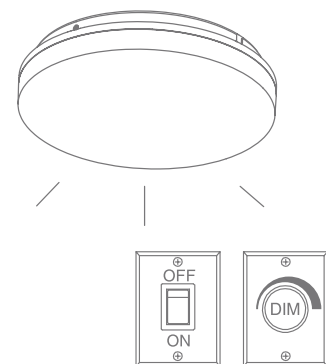
5. Select the desired colour temp.



6. Connect to power and use the clip to fix the cable in place.



7. Switch on the power.



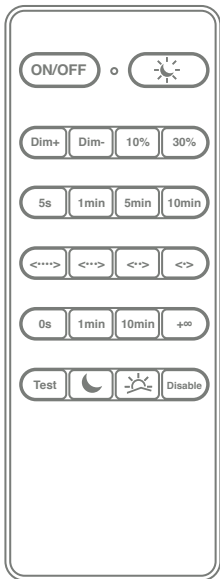
**Note:** -The lamp must be installed by professional electrician  
-Ensure the power supply is switched off before fitting this product

-Do not touch the lamp when in use  
-Keep away from hot steam and corrosive gas

### Sensor Diagram

#### Factory Settings

| Detection Area | Hold Time | Stand-by Period | Stand-by DIM Level | Daylight Threshold |
|----------------|-----------|-----------------|--------------------|--------------------|
| 100%           | 5s        | 0s              | 10%                | Disable            |



| Key                | Key Function              | Key Function Illustration  |
|--------------------|---------------------------|--|
| ON/OFF             | ON/OFF                    | Turn OFF the lamp, sensor function will stop. Turn ON, sensor function will start and keep the same lighting parameters from last operation. |
|                    | Night-Light               | 3% Standby   |
| Dim+               | Brightness +              | 5% Increase step by step   |
| Dim-               | Brightness -              | 5% Decrease step by step   |
| Standby Dim Level  | Standby Dim Level         | 10%, 30%   |
| Hold Time          | <i>Hold Time:</i>         | 5s, 1min, 5min, 10min  |
| Detection Area     | <i>Detection Area</i>     | 100%, 75%, 50%, 25%  |
| Stand-by Period    | <i>Stand-by Period</i>    | 0s, 1min, 10min, +∞  |
| TEst               | <i>Test</i>               | Press test, lamp will be turned off after 2 seconds. It will keep the same parameter as last operation when turned on.                       |
| Daylight Threshold | <i>Daylight Threshold</i> | 15Lux , 50 Lux , Disable.  |

#### Spec of Sensor

|                     |  |
|---------------------|--|
| Power               | <0.15W   |
| Input Rated Voltage | 7.5V   |
| Input Voltage       | 12V  |
| Current             | <25mA  |
| Output              | PWM  |
| Microwave Function  | ON/OFF (Optional)                                    |
| Dimming Range       | 0% - 100%  |
| Detection Distance  | Near 2-4m / Medium 4-6m / Far 5-9m (Optional)        |
| Daylight Lux        | OFF / 50-100lux (Dusk) / 10-15lux (Night) (Optional) |
| Keep Brightness     | OFF / 10% / 20% / 30% (Optional)                     |

**Note:** -The lamp must be installed by professional electrician  
-Ensure the power supply is switched off before fitting this product

-Do not touch the lamp when in use  
-Keep away from hot steam and corrosive gas